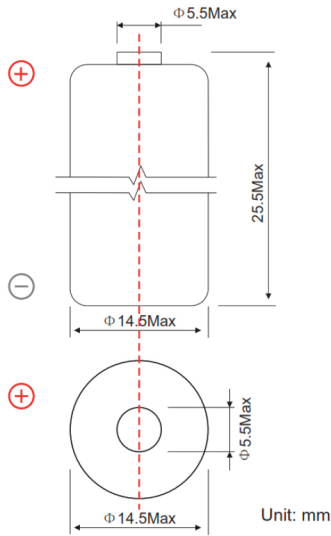


Lithium Thionyl Chloride Battery

External dimensions



Key features

- Bobbin type
- High operation voltage
- Low self-discharge rate
- High energy density
- Operating life 10 years+

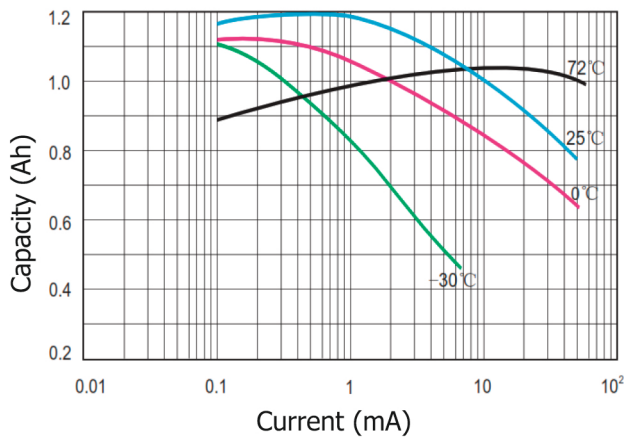
Available terminals:
 /P - axial pins
 2P, 3P, T - soldering tabs
 wires/connector
 Other types available
 by request

Specifications

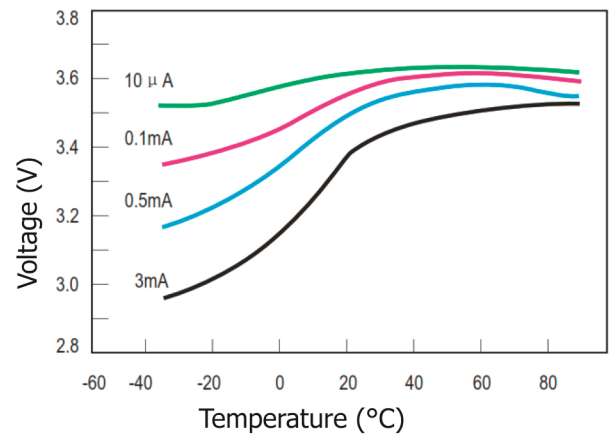
Nominal capacity (1mA-2.0V-25°C)	1200mAh
Nominal voltage	3,6V
Max. constant current	25mA
Max. pulse current	50mA
Weight	10g
Size	14,5X25,5mm
Operating temperature	-60°C~+85°C

Characteristic curves

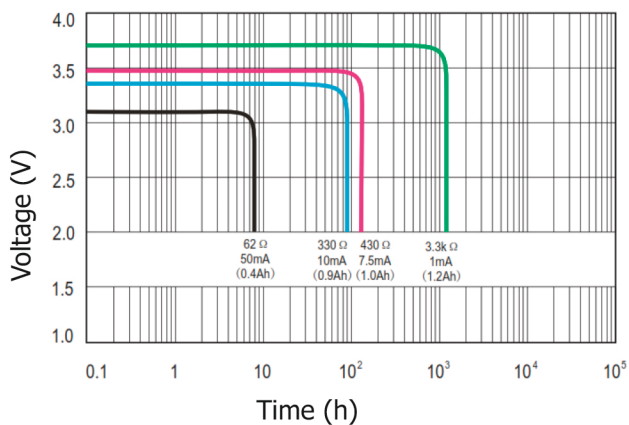
Capacity vs Current



Voltage vs Temperature



Discharge characteristics (25°C)



Storage characteristics

